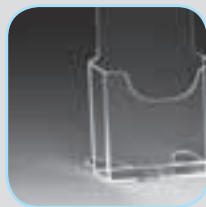


# Chapter 10

## BROCHURE HOLDERS



Single pocket  
page 134



Multi pocket  
page 136

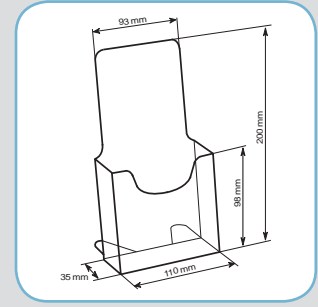
Even if the technological evolution recommends the electronic support as the most important communication and information storage media, the commercial communication continues to use the printed paper as one of the most popular instruments. Leaflets, brochures, magazines, catalogues or periodicals are being distributed daily in huge quantities. And all these need storage and displaying supports. The next chapter is exploring this domain in the very detail.



Counter brochure holder 1/3 A4P format, depth 35 mm, for table exposure. Minimum quantity 50 pcs.

**CPA 023-421**

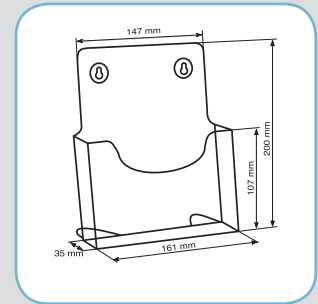
1.72 EUR / PC



Counter brochure holder A5P format, depth 35 mm, for table exposure and holes for wall exposure. Minimum quantity 50 pcs.

**CPA 022-421**

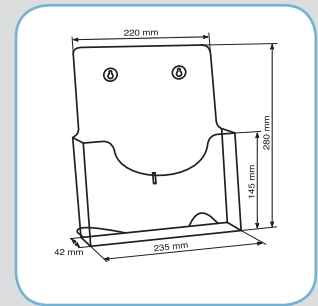
2.26 EUR / PC



Counter brochure holder A4P format, depth 42 mm, for table exposure and holes for wall exposure.

**CPA 020-421**

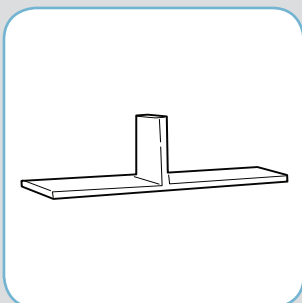
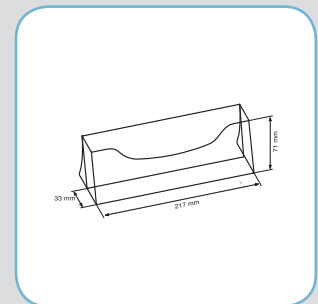
4.37 EUR / PC



Counter brochure 1/3 A4 landscape, depth 33 mm, for table exposure. Minimum quantity 50 pcs.

**CPA 025-421**

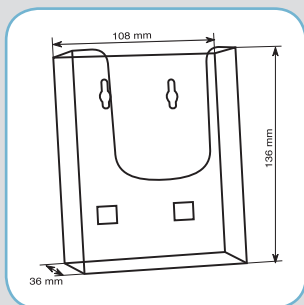
2.0 EUR / PC



Divider for A4 counter brochure, holds 2 brochures of 105x297 mm.

**CAA 009-421**

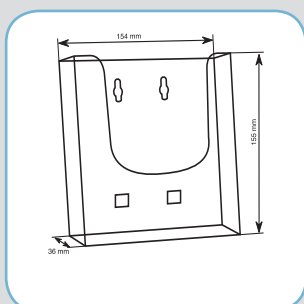
2.62 EUR / PC



Wall brochure holder 1/3 A4P format, depth 36 mm. Minimum quantity 50 pcs.

**CPA 032-421**

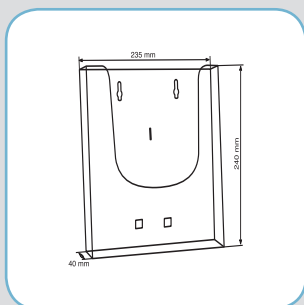
1.8 EUR / PC



Wall brochure holder A5P format, depth 36 mm. Minimum quantity 50 pcs.

**CPA 031-421**

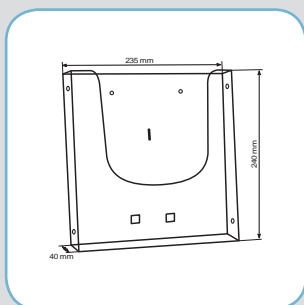
2.16 EUR / PC



Wall brochure holder A4P format, depth 36 mm.

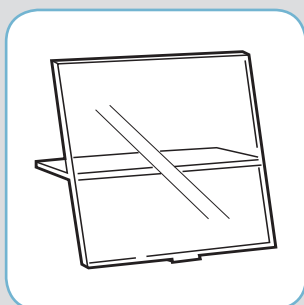
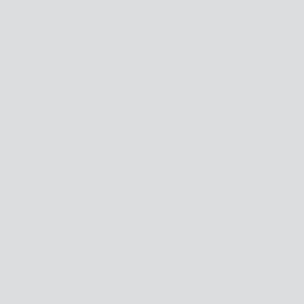
**CPA 030-421**

4.42 EUR / PC



Wall brochure holder A4P format, depth 40 mm, with lateral holes.

**CPA 280-421**



Divider for A4 wall counter brochure, holds 2 brochures of 105x297 mm.

**CAA 001-421**

2.62 EUR / PC

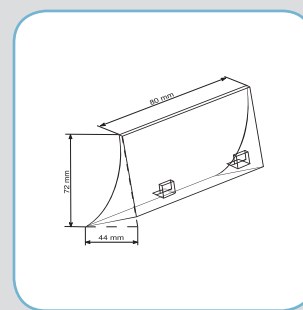




Foot for CPA 031 and CPA 032 brochure holder, to transform them in counter stands for table exposure.

**CAA 020-421**

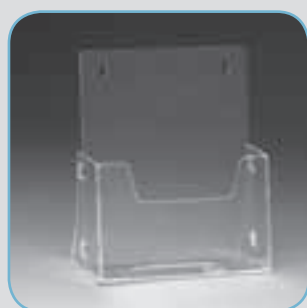
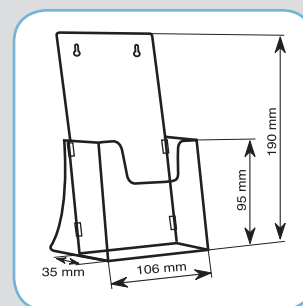
0.36 EUR / PC



Foldable brochure holder for 1/3 A4P format, depth 35 mm, for table or wall exposure. These brochure holders are shipped flat. Minimum quantity 100 pcs.

**CPA 310-421**

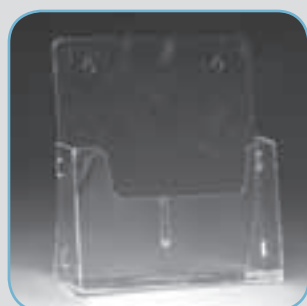
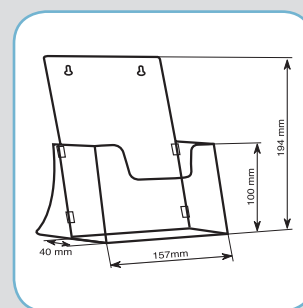
2.04 EUR / PC



Foldable brochure holder for A5P format, depth 40 mm, for table or wall exposure. These brochure holders are shipped flat. Minimum quantity 100 pcs.

**CPA 311-421**

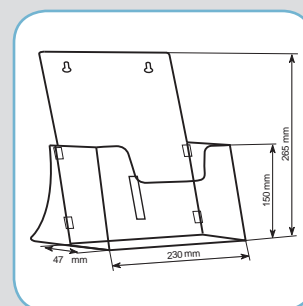
2.4 EUR / PC



Foldable brochure holder for A4P format, depth 47 mm, for table or wall exposure. These brochure holders are shipped flat. Minimum quantity 100 pcs.

**CPA 312-421**

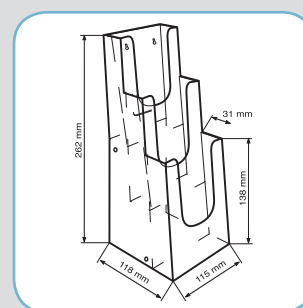
4.4 EUR / PC

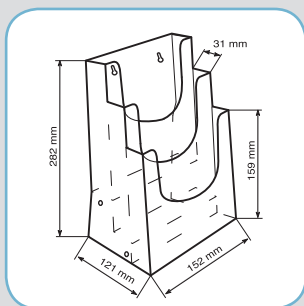


Counter brochure holder 3 pockets 1/3 A4P format, depth 31 mm, for table or wall exposure.

**CPA 053-421**

5.72 EUR / PC

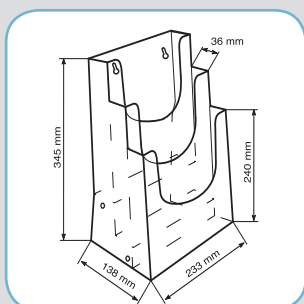




Counter brochure holder 3 pockets A5P format, depth 31 mm, for table or wall exposure.

**CPA 055-421**

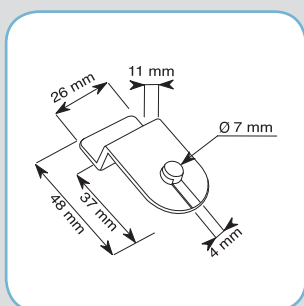
6.44 EUR / PC



Counter brochure holder 3 pockets A4P format, depth 34 mm, for table or wall exposure.

**CPA 052-421**

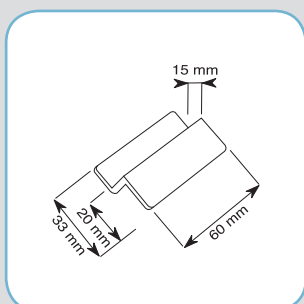
13.54 EUR / PC



Slatwall Clips for brochure holders. Available colors : white, clear. 2 pcs per set.

**CAA 022-421**

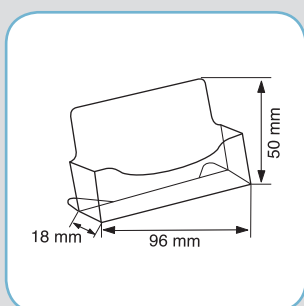
0.82 EUR / PER



Universal slatwall clip for brochure holders. On request, the product can be delivered with foam tape. Available colors: white, clear.

**CAA 023-421**

0.44 EUR / PC



Horizontal business card holder with feet for counter, depth 18 mm, 95 mm long.

**CPA 313-421**

1.06 EUR / PC

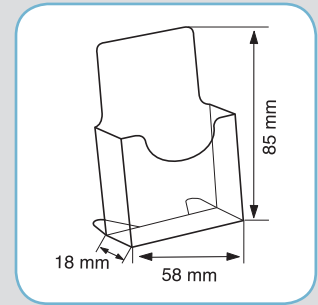




Vertical business card holder with feet for counter, depth 18 mm, 58 mm long.

**CPA 314-421**

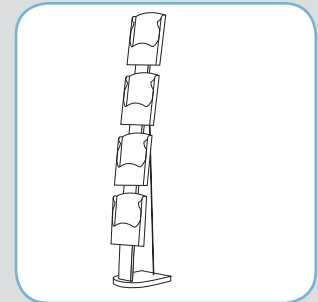
1.06 EUR / PC



Brochure display 4x4P, pre-mounted on silver anodized aluminium profile, base silver coated and 4 polycarbonate A4 pockets. Base dimensions 250x330 mm, height 1595 mm. Color: clear.

**CPA 315-991**

117.81 EUR / PC



Divider for A4 pockets. Transforms A4 pockets into two 1/3 A4 pockets. 2 pcs per set. Color: clear.

**CAA 024-991**

9.22 EUR / SET



MOSQUITO is as light as a feather and thus most suitable for mobile users. A combination of aluminium profiles and transparent textile fabric saves on weight and volume. Once taken out of the transport bag, mosquito is mounted in an instant and ready for use.

MOSQUITO 4XA4P brochure display.

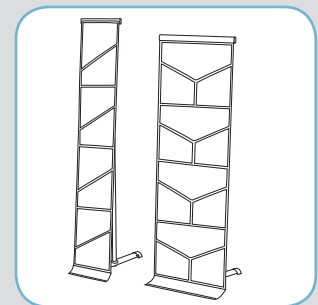
**CPA 316-991**

38.61 EUR / PC

MOSQUITO 8XA4P brochure display.

**CPA 317-991**

48.51 EUR / PC



Aluminium stand, steel base Ø 255 mm, 2 kg. The system has a hinge in the inferior part for fastening the leaflet dispensers. The leaflet dispensers are not included, but you can choose one of the models from this chapter and create the system that you wish for.

Height 1000 mm

**CAX 011-00/1000**

29.35 EUR / PC

Height 800 mm

**CAX 011-00/800**

28.25 EUR / PC

