

Chapter 7

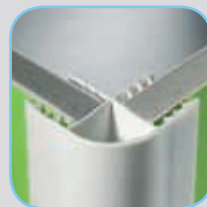
SUPER GRIPPER



Adhesive Super-gripper
page 96

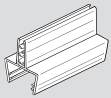


T Super-gripper
page 98



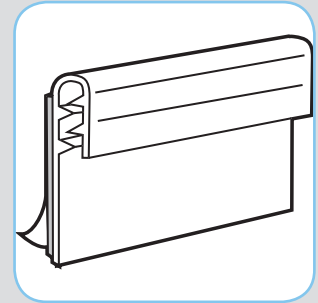
Super-gripper for 5 mm
page 102

The super grippers represent an excellent technical solution, in a multitude of situations where the persons involved in the field of advertising production end up. This family of small products have in common the mechanism which makes them function - we are speaking of small, extruded rubber structures, which fix the prints introduced in between the two „jaws“. There are a whole lot of super-grippers. Check this chapter and we are sure that you will find the one suitable for your need.



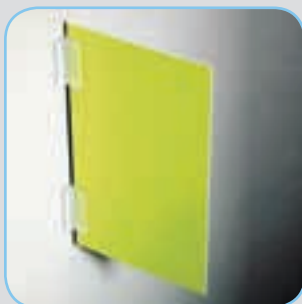
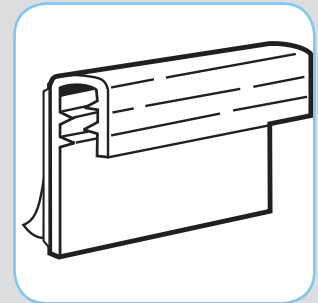
Adhesive super gripper, for parallel fixing with adhesive back, maximum thickness of 2 mm.

- PPX 002-03** length 25 mm 13.2 EUR / 100PCS
- PPX 003-03** length 75 mm 39.49 EUR / 100PCS
- PPX 004-03** length 1220 mm 6.38 EUR / PC



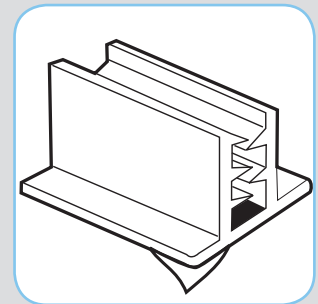
Adhesive super gripper, for parallel fixing with adhesive back, maximum thickness of 4 mm.

- PPX 005-03** length 25 mm 21.89 EUR / 100PCS
- PPX 006-03** length 75 mm 61.05 EUR / 100PCS
- PPX 007-03** length 1220 mm 10.78 EUR / 100PCS



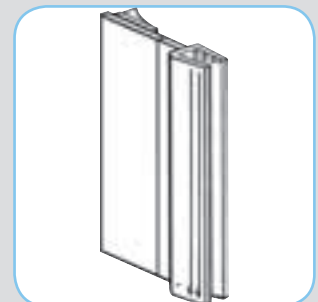
Adhesive super gripper, for parallel fixing with adhesive back, maximum thickness of 5 mm.

- PPX 086-03** length 38 mm 49.5 EUR / 100PCS
- PPX 087-03** length 75 mm 106.26 EUR / 100PCS
- PPX 088-03** length 1220 mm 16.5 EUR / PC



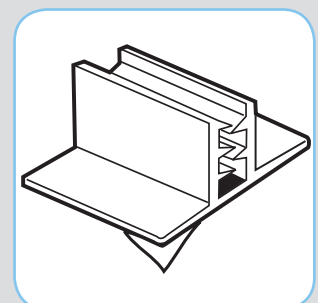
Super gripper with 13 mm wide adhesive base, for perpendicular display of prints with maximum thickness of 2 mm.

- PPX 008-03** length 25 mm 12.32 EUR / 100PCS
- PPX 009-03** length 75 mm 36.96 EUR / 100PCS
- PPX 010-03** length 1220 mm 5.94 EUR / PC



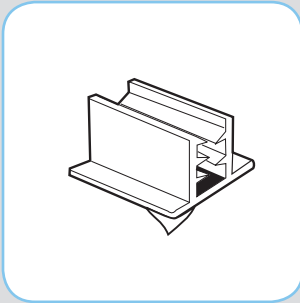
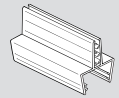
Flexible adhesive super gripper. The display plan is at 180° from the fastening surface, 75 mm length, for prints with maximum thickness of 2 mm.

- PPX 066-03** 113.74 EUR / 100PCS



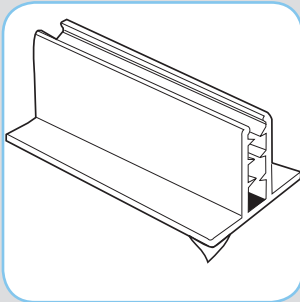
Super gripper with 26 mm wide adhesive base, for perpendicular display of prints with maximum thickness of 2 mm.

- length 25 mm
- PPX 051-03** 20.02 EUR / 100PCS
- length 75 mm
- PPX 052-03** 52.69 EUR / 100PCS
- length 1220 mm
- PPX 053-03** 11.44 EUR / PC



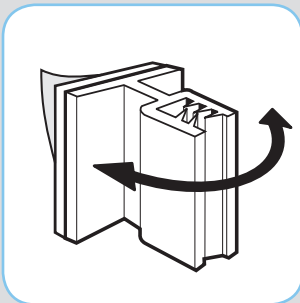
Super gripper with 20 mm wide adhesive base, for rectangular display of prints with maximum thickness of 3-4 mm.

- length 25 mm
PPX 054-03 16.5 EUR / 100PCS
- length 75 mm
PPX 055-03 41.03 EUR / 100PCS
- length 150 mm
PPX 056-03 82.5 EUR / 100PCS
- length 1220 mm
PPX 057-03 8.69 EUR / PC



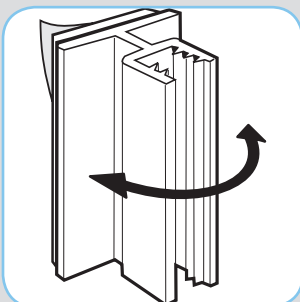
Super gripper with 42 mm wide adhesive base, for perpendicular display of prints with maximum thickness of 6 mm.

- length 75 mm
PPX 058-03 213.62 EUR / 100PCS
- length 150 mm
PPX 059-03 377.08 EUR / 100PCS



Super gripper with 22 mm wide flexible adhesive base, for perpendicular display of prints with maximum thickness of 2 mm.

- length 25 mm
PPX 016-03 28.16 EUR / 100PCS
- length 75 mm
PPX 017-03 75.9 EUR / 100PCS



Super gripper with 25 mm wide flexible adhesive base, for perpendicular display of prints with maximum thickness of 4 mm.

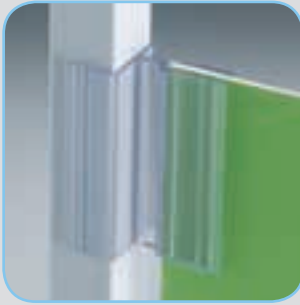
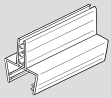
- length 75 mm
PPX 048-03 92.4 EUR / 100PCS
- length 150 mm
PPX 049-03 193.6 EUR / 100PCS



Super gripper with 38 mm wide flexible adhesive base, for perpendicular display of prints with maximum thickness of 5 mm, length 75 mm.

- PPX 075-03** 189.2 EUR / 100PCS

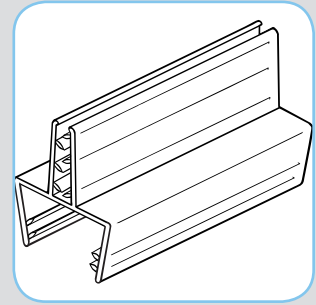




Fix super gripper with fastening on 22-25 mm supports, for prints with maximum thickness of 2 mm. Available color: clear.

PPX 089-03

136.4 EUR / 100PCS



Flexible super gripper with affixing on 22-25 mm thickness, for prints of 2 mm maximum thickness. Available color: clear.

PPX 090-03

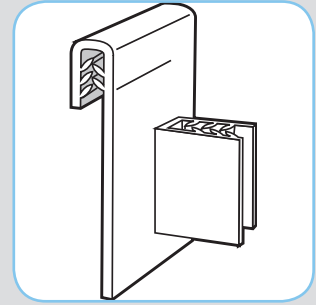
176.0 EUR / 100PCS



T super gripper for the perpendicular exhibiting of the prints with a maximum thickness of 2 mm. Fixing on label holder profiles. Colors: clear.

PPX 020-03

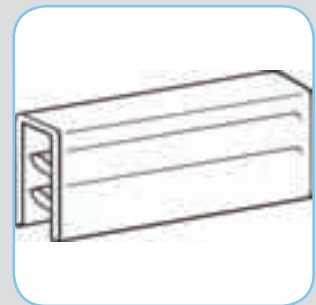
22.0 EUR / 100PCS



„Budget“ super gripper for parallel display of prints with 2 mm thickness. To be fastened onto scanning rails.

PPX 078-03

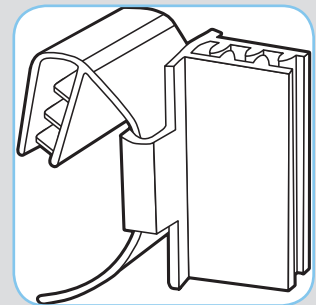
18.7 EUR / 100PCS



The super gripper K allows displaying rectangular of prints on shelves, with adjustable angle. For prints with maximum thickness of 2 mm.

PPX 080-01

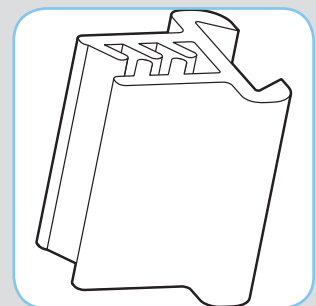
47.63 EUR / 100PCS

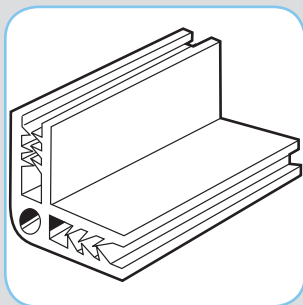
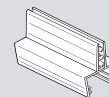


Super gripper to be attached on any CLICK accessory from chapter two. Allows the display of prints with a maximum thickness of 2 mm. Colors: clear.

PPX 081-01

17.6 EUR / 100PCS

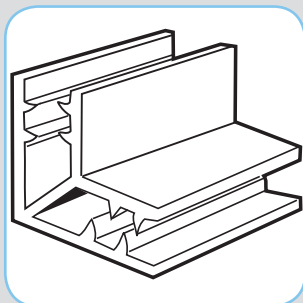




90° L super gripper, 25 mm length, for prints with maximum thickness of 2 mm.

PPX 050-03

31.46 EUR / 100PCS



Flexible L super gripper, for prints with maximum thickness of 3 mm.

length 25 mm

PPX 011-03

33.0 EUR / 100PCS

length 75 mm

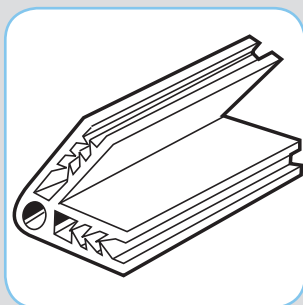
PPX 012-03

91.74 EUR / 100PCS

length 1220 mm

PPX 072-03

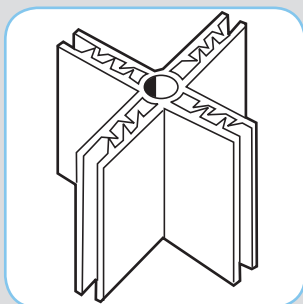
14.3 EUR / PC



60° V super gripper, 25 mm length, for prints with maximum thickness of 2 mm.

PPX 013-03

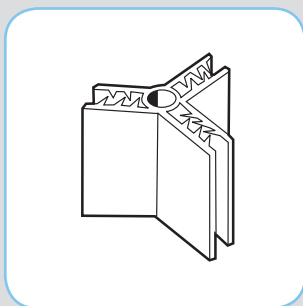
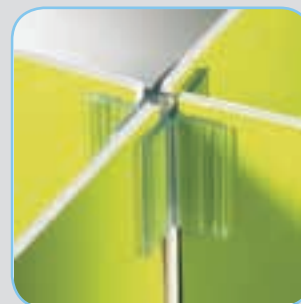
32.89 EUR / 100PCS



90° X super gripper, 25 mm length, for prints with maximum thickness of 2 mm.

PPX 014-03

32.45 EUR / 100PCS

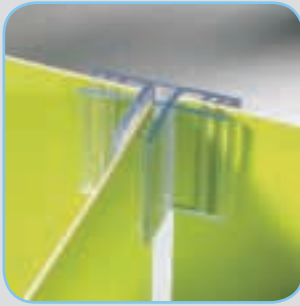
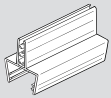


120° Y super gripper, 25 mm length, for prints of maximum thickness of 2 mm.

PPX 015-03

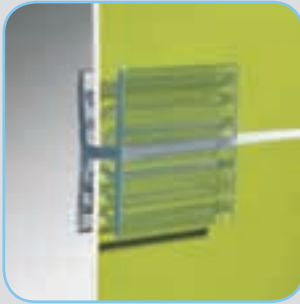
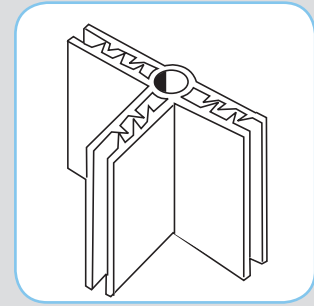
43.89 EUR / 100PCS





90° T super gripper, 25 mm length, for prints with maximum thickness of 2 mm.

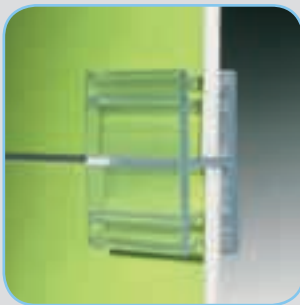
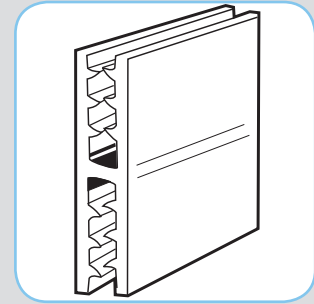
PPX 031-03 46.2 EUR / 100PCS



180° H super gripper, for prints with maximum thickness of 2 mm.

length 25 mm
PPX 022-03 23.76 EUR / 100PCS

length 1220 mm
PPX 023-03 7.15 EUR / PC

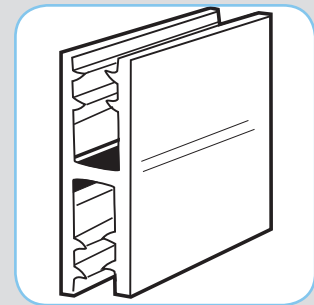


180° H super gripper, for prints with maximum thickness of 5 mm.

length 25 mm
PPX 040-03 28.6 EUR / 100PCS

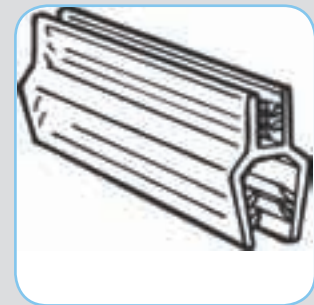
length 75 mm
PPX 041-03 74.8 EUR / 100PCS

length 1220 mm
PPX 042-03 11.55 EUR / PC



180° H super gripper with 38 mm length, for prints with maximum thickness of 2 mm and 4-9 mm on the opposite side.

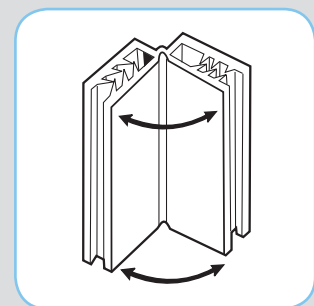
PPX 067-03 56.87 EUR / 100PCS

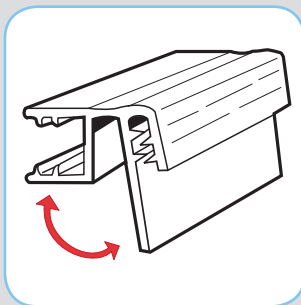
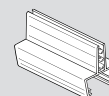


Flexible L super gripper, for prints with maximum thickness of 3 mm.

length 50 mm
PPX 038-03 32.78 EUR / 100PCS

length 1220 mm
PPX 039-03 8.14 EUR / PC





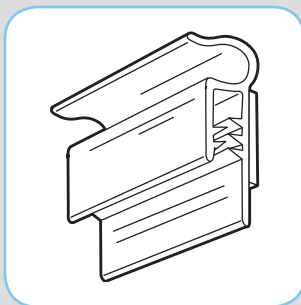
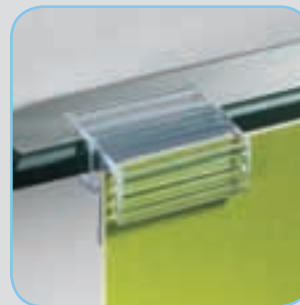
Super gripper with hinge to be fastened on 5 mm thickness glass shelves. Print thickness 2 mm.

length 25 mm
PPX 046-03

22.44 EUR / 100PCS

length 75 mm
PPX 047-03

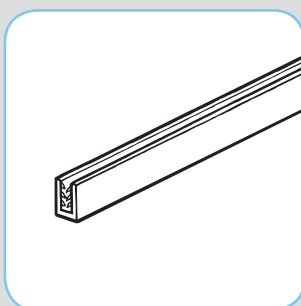
67.1 EUR / 100PCS



Adhesive super gripper with additional fastening on \varnothing 7mm tubes, 25 mm length, for 2 mm print thickness.

PPX 021-03

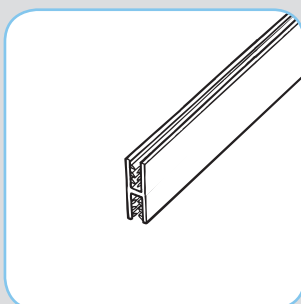
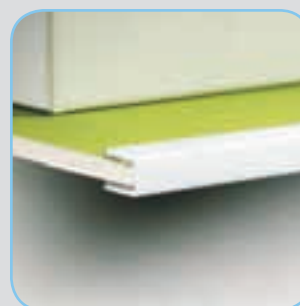
24.09 EUR / 100PCS



U super gripper, 1220 mm length, for prints with maximum thickness of 5-6 mm. Available color: white, clear.

PPX 032-03

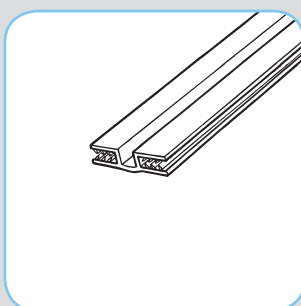
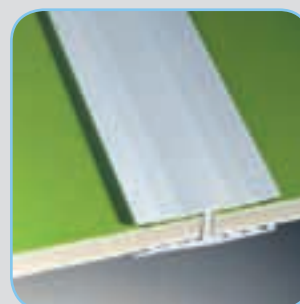
8.25 EUR / PC



180° H super gripper, 1220 mm length, for prints with maximum thickness of 5 mm. Available color: white, clear.

PPX 033-03

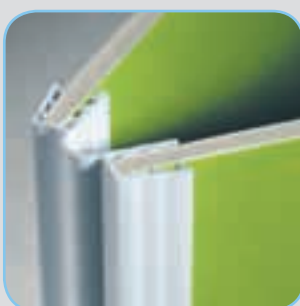
12.65 EUR / PC

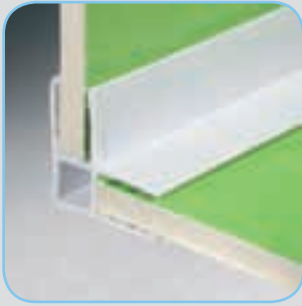
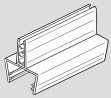


Flexible H super gripper, 1220 mm length, for materials with maximum thickness of 5 mm. Available color: white, clear.

PPX 034-03

12.65 EUR / PC

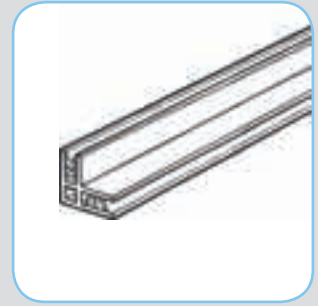




90° L super gripper, 1220 mm length, for prints with maximum thickness of 5 mm. Available color: white, clear.

PPX 069-03

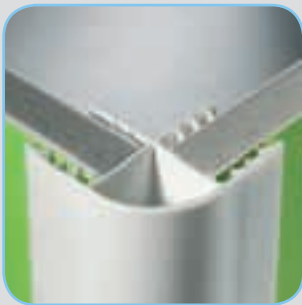
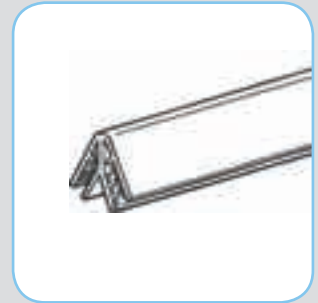
14.3 EUR / PC



60° L super gripper, 1220 mm length, for materials with maximum thickness of 5 mm. Available color: white, clear.

PPX 070-03

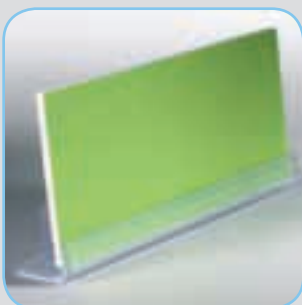
19.58 EUR / PC



90° L super gripper, 1220 mm length, for materials with maximum thickness of 13 mm. Available color: white.

PPX 071-03

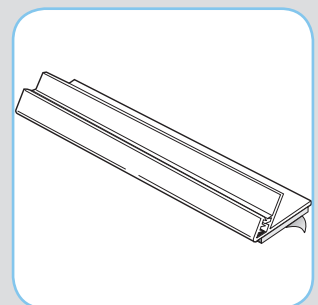
20.68 EUR / PC



Adhesive L super gripper at 75° from vertical, base dimensions 25x150 mm, for prints with maximum thickness of 4 mm.

PPX 037-03

283.36 EUR / 100PCS

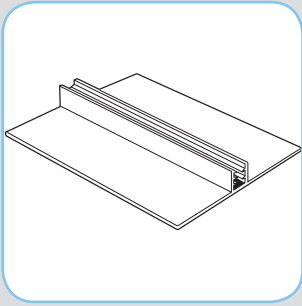
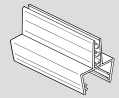


75x125 mm base super gripper, perpendicular from the base, for 1 mm print thickness. Suitable for shelf presentation.

PPX 063-03

106.7 EUR / 100PCS





Super grip base, where plexiglas displays may be inserted vertically. Recommended plexiglass sandwich thickness: 4-5 mm. Available color: clear.

150x55 mm base surface

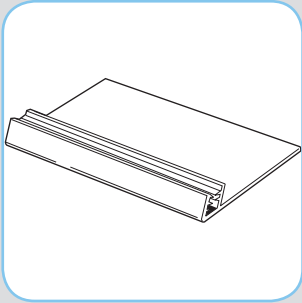
PPX 094-03

178.2 EUR / 100PCS

150x86 mm base surface

PPX 095-03

187.0 EUR / 100PCS



Super grip base, where plexiglas displays may be inserted, in an inclined position. Available color: clear.

150x55 mm base surface. Recommended plexiglass sandwich thickness: 4-5mm.

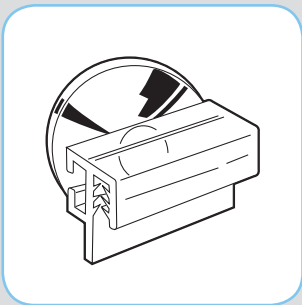
PPX 096-03

178.2 EUR / 100PCS

150x86 mm base surface. Recommended plexiglass sandwich thickness: 4-5mm.

PPX 097-03

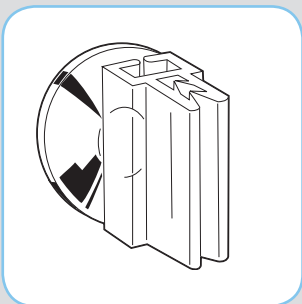
277.2 EUR / 100PCS



Parallel super gripper with \varnothing 25 mm suction cup, for prints with maximum thickness of 2 mm.

PPX 024-03

99.22 EUR / 100PCS



Perpendicular super gripper with suction cup fastening.

with \varnothing 25 mm suction cup, 2 mm thick prints

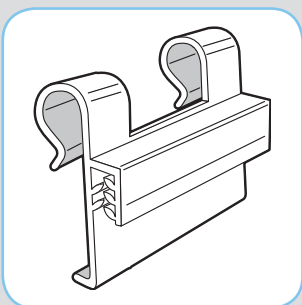
PPX 025-03

92.07 EUR / 100PCS

with \varnothing 45 mm suction cup, 2 mm thick prints

PPX 035-03

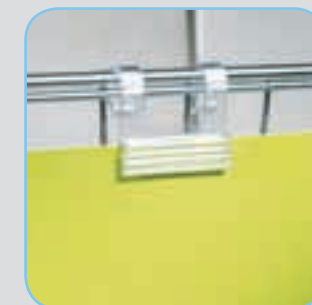
106.26 EUR / 100PCS

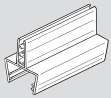


Parallel super gripper with clipping on \varnothing 5 mm wire, for prints with maximum thickness of 1,5 mm, 35 mm length.

PPX 026-03

28.49 EUR / 100PCS

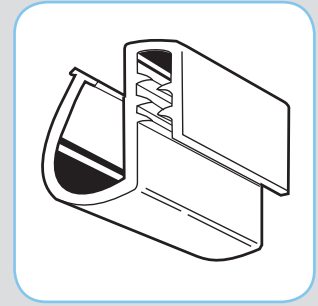




Parallel super gripper with clipping on \varnothing 5 mm wire, for prints with maximum thickness of 2 mm, 25 mm length.

PPX 028-03

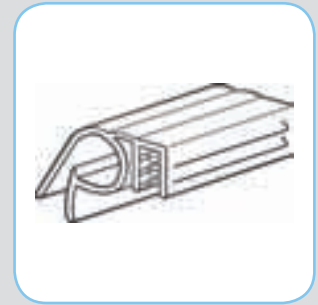
31.24 EUR / 100PCS



Flexible, parallel super gripper with clipping on \varnothing 7 mm wire, for prints with maximum thickness of 2 mm, 38 mm length.

PPX 064-03

75.79 EUR / 100PCS



Parallel super gripper with clipping on \varnothing 7 mm wire, for prints with maximum thickness of 2 mm, 13 mm length.

PPX 043-03

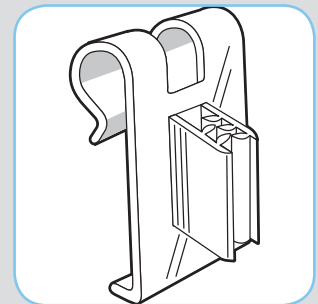
13.2 EUR / 100PCS



Perpendicular super gripper with clipping on \varnothing 5 mm wire, for prints with maximum thickness of 1,5 mm, 19 mm height.

PPX 027-03

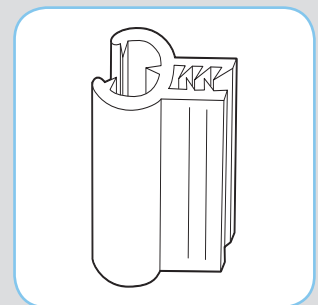
72.6 EUR / 100PCS

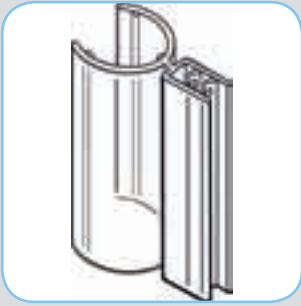
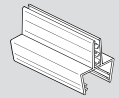


Super gripper for dipping onto \varnothing 5 mm tubes, displayed parallelly to the tube's axis. For prints with maximum thickness of 2 mm, 25 mm length.

PPX 036-03

22.11 EUR / 100PCS

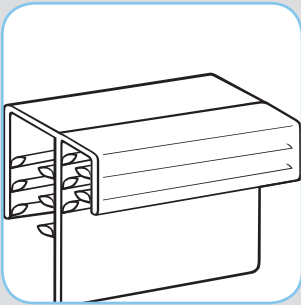
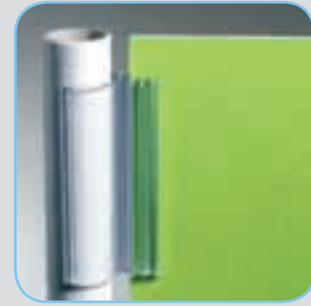




Super gripper with clipping on \varnothing 25 mm tubes, displayed parallelly to the tube's axis. For prints with maximum thickness of 4 mm, 75 mm length.

PPX 065-03

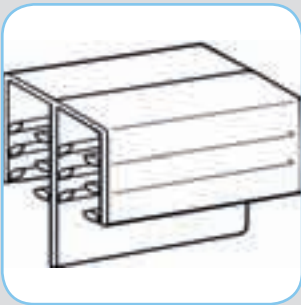
109.78 EUR / 100PCS



Double super gripper - allows the parallel insertion of two prints with maximum thickness of 2 and 4 mm, 38 mm length.

PPX 030-03

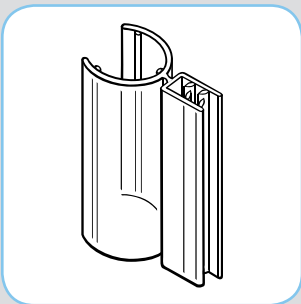
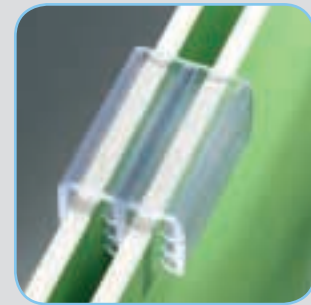
47.3 EUR / 100PCS



U double super gripper - allows the parallel insertion of two prints with maximum thickness of 4 mm, 25 mm length.

PPX 073-03

48.29 EUR / 100PCS



Super gripper with clipping on \varnothing 25 mm tubes, for prints with maximum thickness of 4 mm, 20 mm length. Available color: clear.

without joint between the two clippings

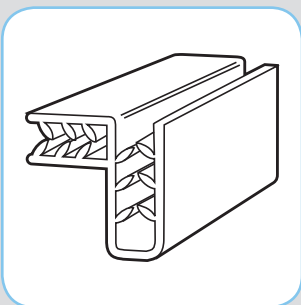
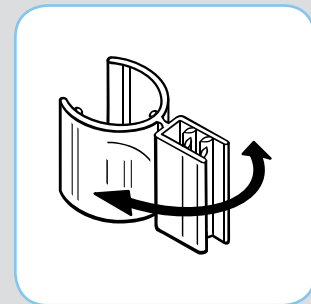
PPX 091-03

36.08 EUR / 100PCS

with flexible joint between the two clippings

PPX 092-03

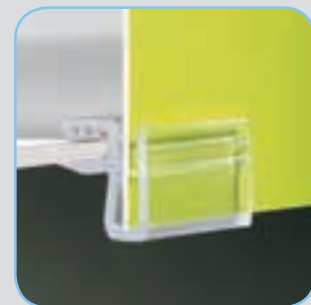
36.08 EUR / 100PCS

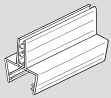


L super gripper with perpendicular display of two prints with maximum thickness of 2 mm, 25 mm length .

PPX 044-03

32.45 EUR / 100PCS

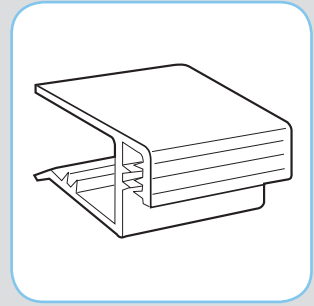




Parallel super gripper for shelves of 12-16 mm, for prints with a maximum thickness of 1 mm, 38 mm length .

PPX 045-03

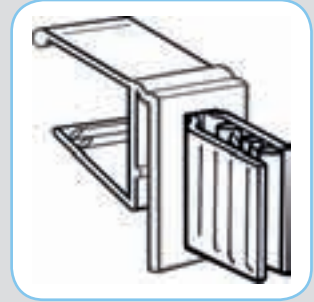
48.29 EUR / 100PCS



Flexible super gripper with fastening on 13-20 mm shelves, for rectangular displaying of prints with maximum thickness of 2 mm.

PPX 074-03

79.53 EUR / 100PCS



Adhesive base super gripper, flexible posting, parallel to the shelf for prints with a maximum thickness of 2 mm.

length 25 mm

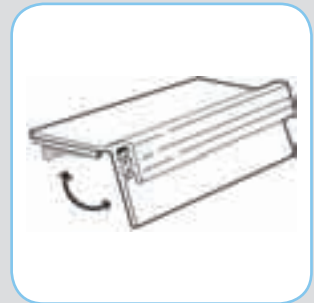
PPX 076-03

23.65 EUR / 100PCS

length 75 mm

PPX 077-03

54.56 EUR / 100PCS



Parallel super gripper with fastening on label holder profiles and posting of the print parallel to the shelf. Maximum print thickness 2 mm. Available color: clear.

length 25 mm

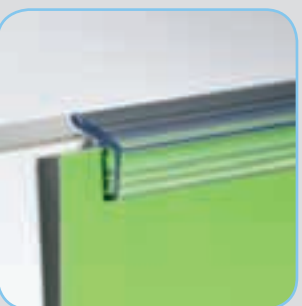
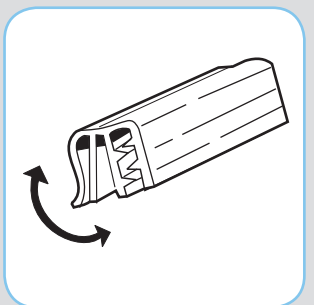
PPX 018-03

25.74 EUR / 100PCS

length 75 mm

PPX 019-03

67.1 EUR / 100PCS



63 mm long super gripper, for parallel display of prints with maximum thickness of 2 mm on the slatwall panels.

PPX 068-03

63.8 EUR / 100PCS

